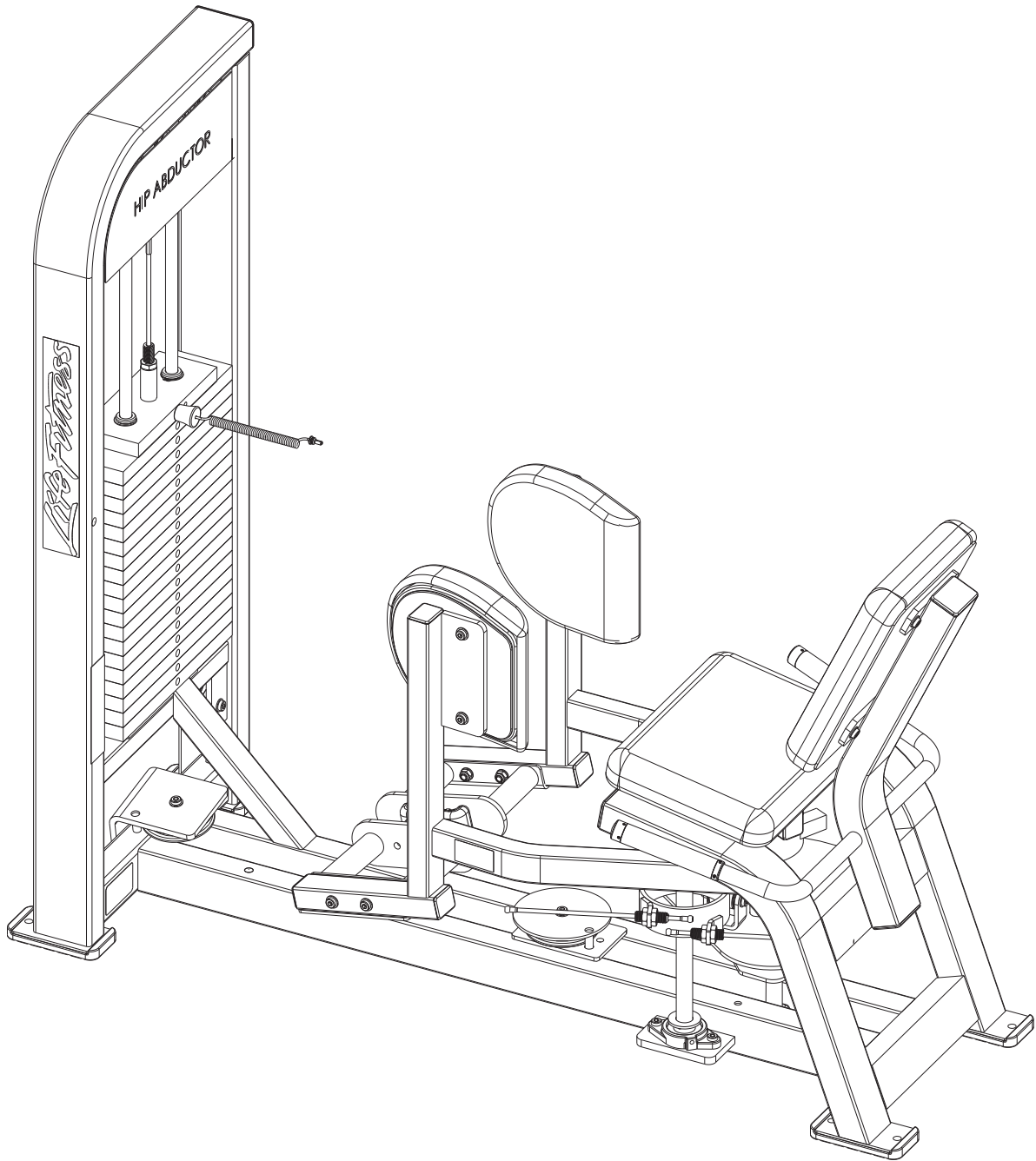




PRO 2 SERIES  
PSHABSE HIP ABDUCTION



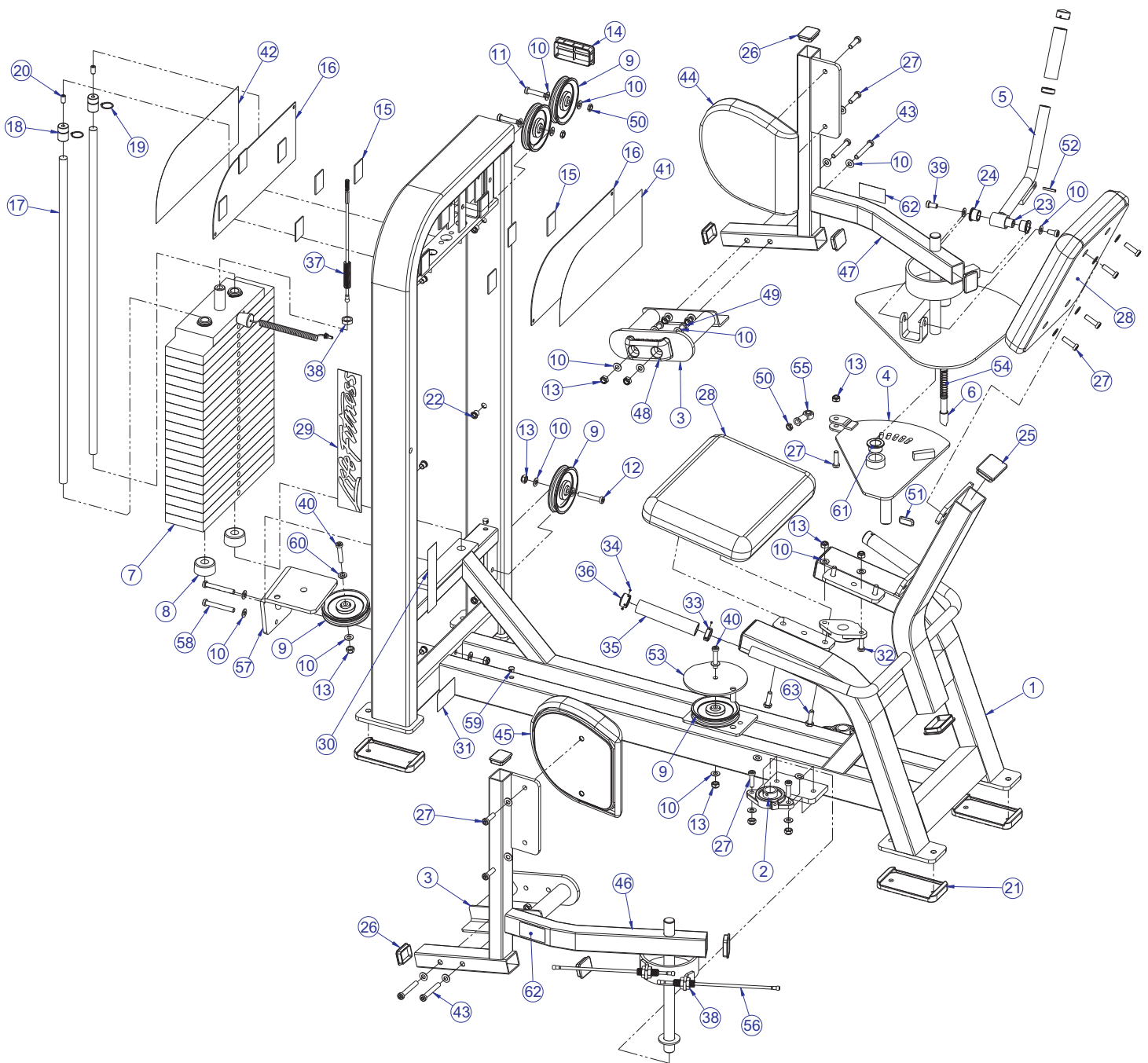
Customer Support Services  
**PARTS MANUAL**

# PSHABSE HIP ABDUCTION CONTENTS

---

COMPONENT ASSEMBLY	3
COMPONENT ASSEMBLY LEGEND	4
5LB INCREMENT WEIGHT ASSEMBLY	5
INCREMENT WEIGHT ASSEMBLY W/STRIKER	6
WEIGHT STACK (300lb)	7
REAR SHROUD KIT	8
OPTIONAL FULL SHROUD KIT	9
CABLE ROUTING	10
IMAGE	11

# PSHABSE HIP ABDUCTION COMPONENT ASSEMBLY

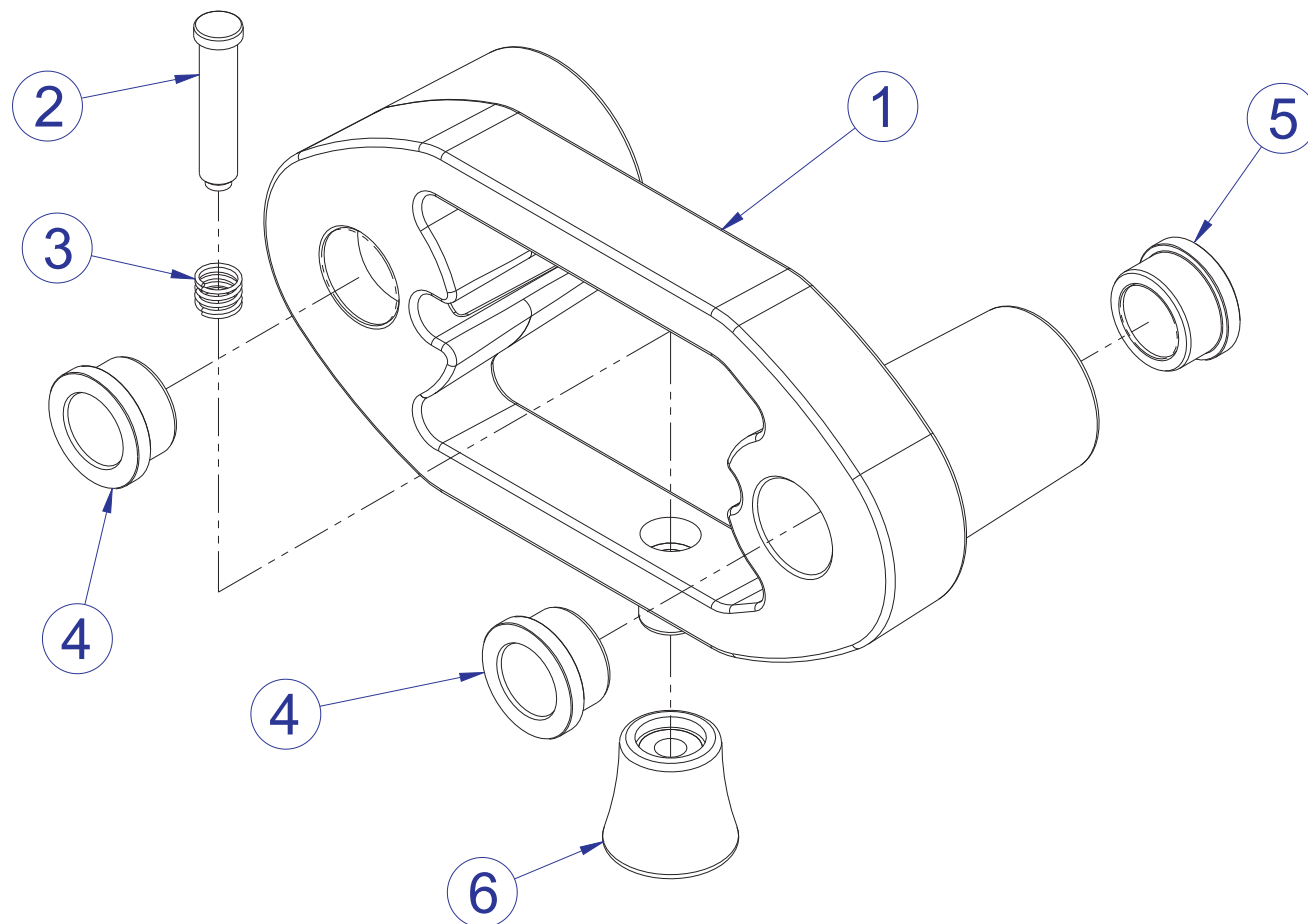
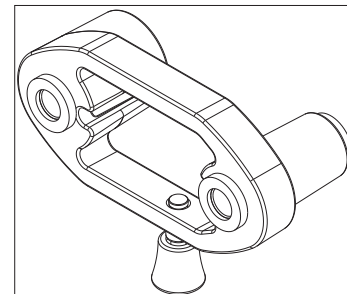


SEE PAGE 4 FOR LEGEND

# PSHABSE HIP ABDUCTION COMPONENT ASSEMBLY LEGEND

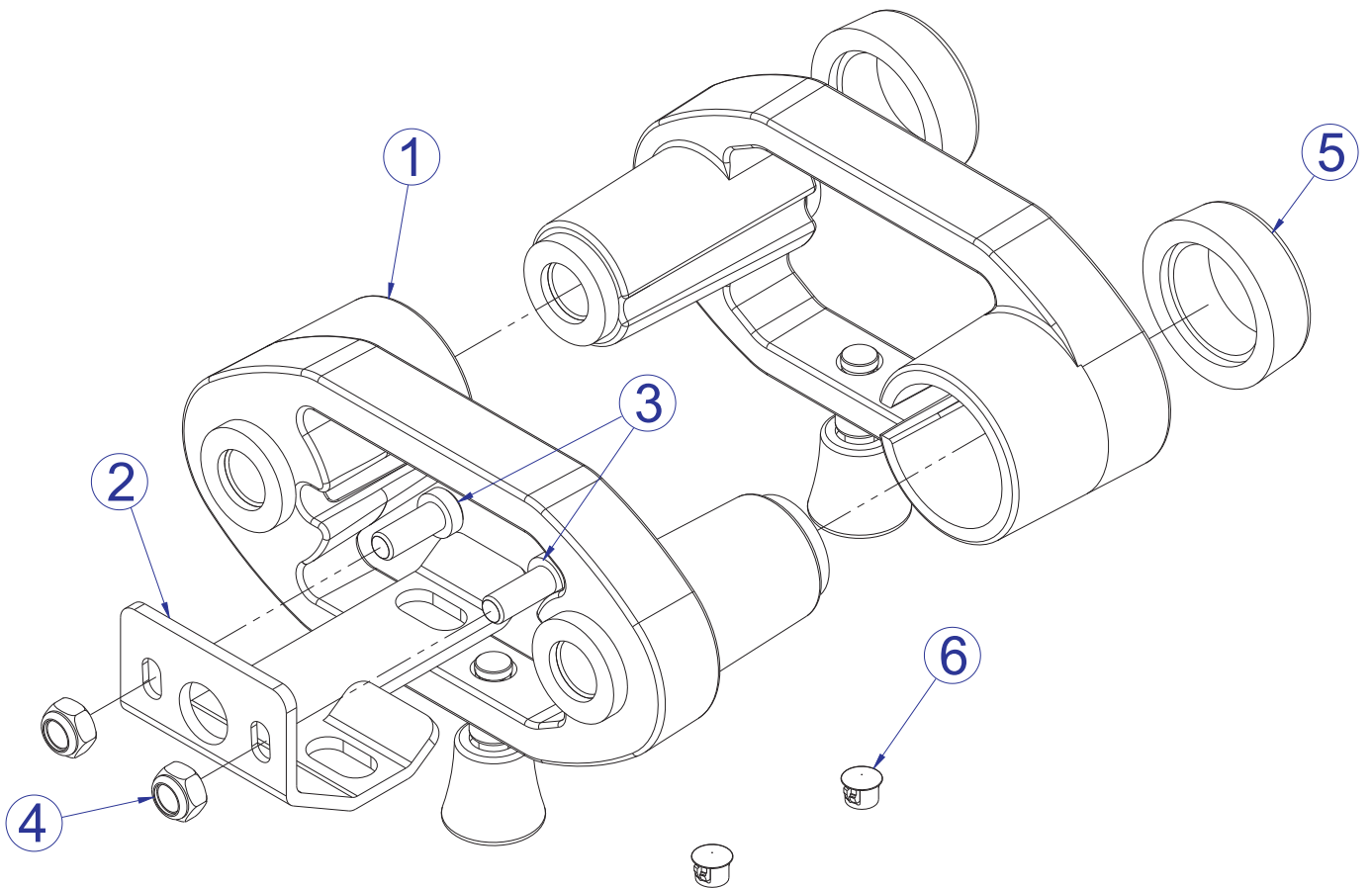
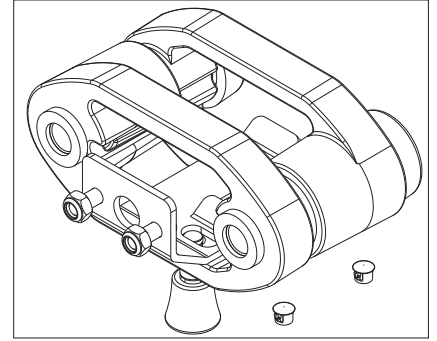
ITEM NO.	QTY.	PART NO.	DESCRIPTION				
1	1	7546901	WLDMT, PSHAB/HAD MAIN FRAME	32	4	3236203	SCREW, M10 X1.5 30MM
2	4	3237701	ASSY, PILLOW BLOCK 4.88 X 2.75	33	3	7662801	RING, GRIP 1.25 OD
3	2	7551101	WLDMT, FOOT SUPPORT	34	12	3247701	M4 X .7 HXS NO CUP ST BO
4	1	7561401	WLDMT, CAM PSHAB	35	3	3235801	GRIP, TBC
5	1	7551501	WLDMT, ADJUST HANDLE PSHAD/HAB	36	3	7662901	CAP, GRIP 1.25 OD
6	1	7549901	PIN, SPRING PSHAD/HAB	37	1	7423611	CABLE, PSHAB
7	1	7353501	ASSY, 300LB STACK	38	5	3236902	NUT, M16 X 2 HEX JAM SS
8	2	7352101	CUSHION, WEIGHT STACK	39	2	3236201	SCREW, M10 X1.5 20MM
9	5	3237801	PULLEY, 4.5" OD	40	2	3236207	SCREW, M10 X1.5 50MM
10	45	3236601	WASHER, 3/8 SAE SS	41	1	7562101	LABEL, PSHAB PLACARD
11	2	3236206	SCREW, M10 X1.5 45MM	42	1	7562201	LABEL, PSHAB LOGO PANEL
12	1	3236209	SCREW, M10 X1.5 60MM	43	4	3236211	SCREW, M10 X1.5 70MM
13	20	3236801	NUT, M10 HEX NYLOCK SS	44	1	75495xx	PAD, HIP ADDUCTOR LH
14	1	7352401	CAP, END 2 X 4	45	1	75496xx	PAD, HIP ADDUCTOR RH
15	12	7544202	PAD, DUAL LOCK 250 1.5" X 2.0"	46	1	7561201	WLDMT, PIVOT ARM LEFT PSHAB
16	2	7606602	COVER, STACK-PRO2 STD	47	1	7561301	WLDMT, PIVOT ARM RIGHT PSHAB
17	2	7328614	GUIDE ROD, .75 OD SOLID 35.38	48	1	7352001	BUMPER, 2-1/8 X 4-5/8
18	2	7402301	RETAINER, GUIDEROD	49	2	3236205	SCREW, M10 X1.5 40MM
19	2	3232421	RING, BRE .940, 5100-100 ST PP B	50	3	3236901	NUT, M10 X 1.5 JAM
20	2	3240501	M10 X 1.5 HXS NO CUP ST BO	51	1	7570801	GUARD, PAINT 1.25"x.75"x.25"
21	4	7388201	FOOTPAD, PS RUBBER	52	1	3110011	ROLL PIN, 3/16 X 1-1/4
22	6	3238101	NUT, BLIND INSERT M10 X 1.5	53	1	7511901	WLDMT, PSHAB PULLEY PLATE
23	1	7324802	SHAFT, TAPPED 0.75 DIA X 1.800	54	1	7351501	SPRING; PULL PIN LARGE
24	2	3104901	.75" ID 1.00" OD BRONZE BUSHING	55	1	3237901	ROD END, METRIC FEMALE
25	4	7352301	CAP, END 2 X 3	56	2	7573701	CABLE, PSHAD/HAB
26	8	7352201	CAP, END 1-1/2 X 2	57	1	7573801	WLDMT, PSHAD/HAB PULLEY BRKT
27	13	3236204	SCREW, M10 X1.5 35MM	58	2	3236212	SCREW, M10 X1.5 75MM
28	2	74221xx	PAD, BACK 15 X 11-1/4	59	15	3237401	PLUG, 7/16" HOLE
29	1	7348001	LABEL, LIFE FITNESS LOGO	60	1	7348101	WASHER, SPACER
30	1	7422004	LABEL, 2" ASTM WARN	61	2	3104903	1.00" ID 1.25" OD BRONZ BUSHING
31	1	7571301	LABEL, SERIAL NUMBER	62	2	7422003	LABEL, MOVING PARTS
				63	4	3251200	SCREW, M10 X1.5 X 35MM UNS HEX

# PSHABSE HIP ABDUCTION 5LB INCREMENT WEIGHT ASSEMBLY - 8047001



ITEM NO	QTY	PART NO	DESCRIPTION
1	1	8047001	BODY, PS INCREMENT WEIGHT
2	1	7446901	PIN, RETAINING
3	1	7447001	SPRING, COMPRESSION
4	2	8045001	BEARING, INCREMENT WEIGHT
5	1	8048201	BEARING, PS, INCREMENT WEIGHT
6	1	8048001	KNOB, TULIP STYLE

# PSHABSE HIP ABDUCTION INCREMENT WEIGHT W/STRIKER - 7415101

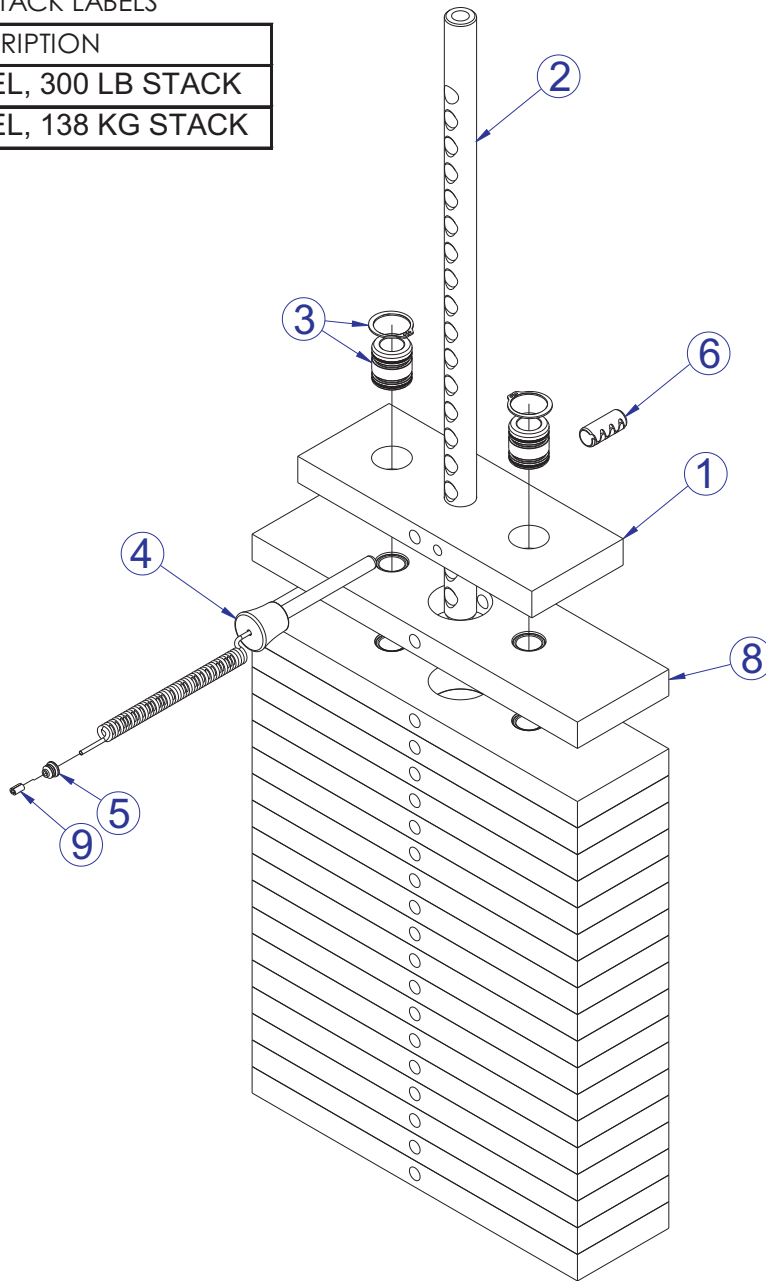
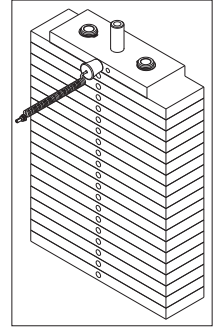


ITEM NO	QTY	PART NO	DESCRIPTION
1	2	8047001	ASSY, PS INCREMENT WEIGHT
2	1	8700801	PLATE, INCREMENT WEIGHT STRIKER
3	2	3236202	SCREW, M10 X1.5 25MM
4	2	3236801	NUT, M10 HEX NYLOCK SS
5	2	7767601	BUMPER, PS INCREMENT WT
6	2	3237401	PLUG, 7/16" HOLE

# PSHABSE HIP ABDUCTION WEIGHT STACK ASSY 300LB - 7353501

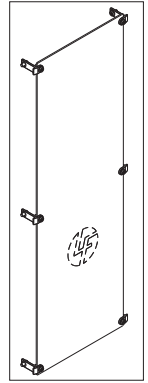
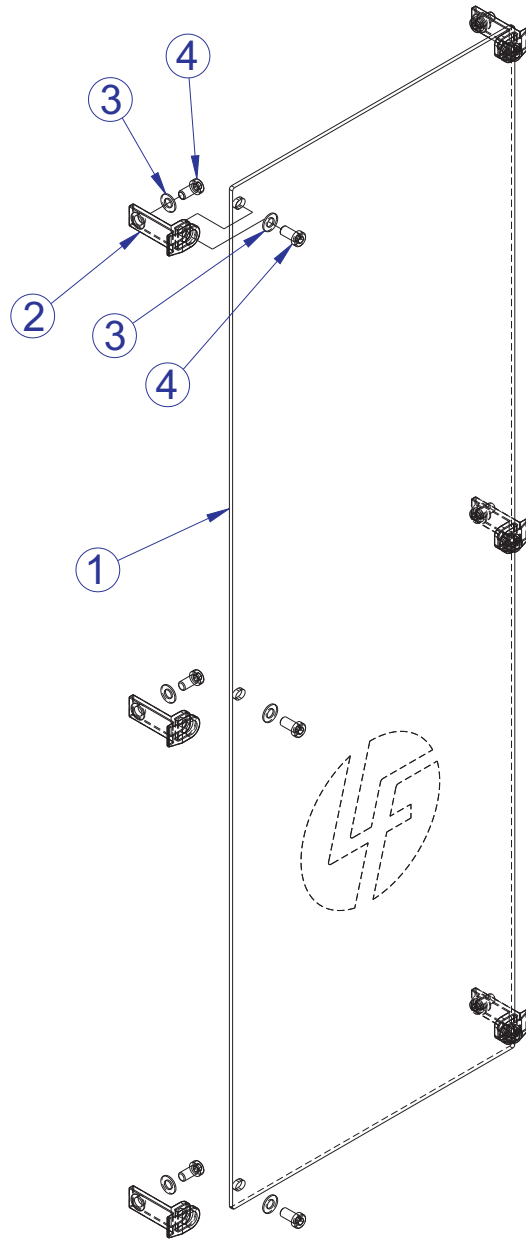
## WEIGHT STACK LABELS

PART NO.	DESCRIPTION
7987201	LABEL, 300 LB STACK
7987401	LABEL, 138 KG STACK



ITEM NO.	QTY.	PART NO.	DESCRIPTION
1	1	7353901	HEADPLATE, WT. STACK
2	1	7356600	STEM, PRO2 19 HOLE
3	2	7338001	BUSHING, HEADPLATE
4	1	7353001	ASSY, SELECTOR PIN
5	1	7356501	PLUG, LANYARD ATTACHMENT
6	1	3236001	BUSHING, SPRING PIN
8	19	7353801	ASSY, 15 LB PLATE
9	1	7523601	CRIMP, CABLE

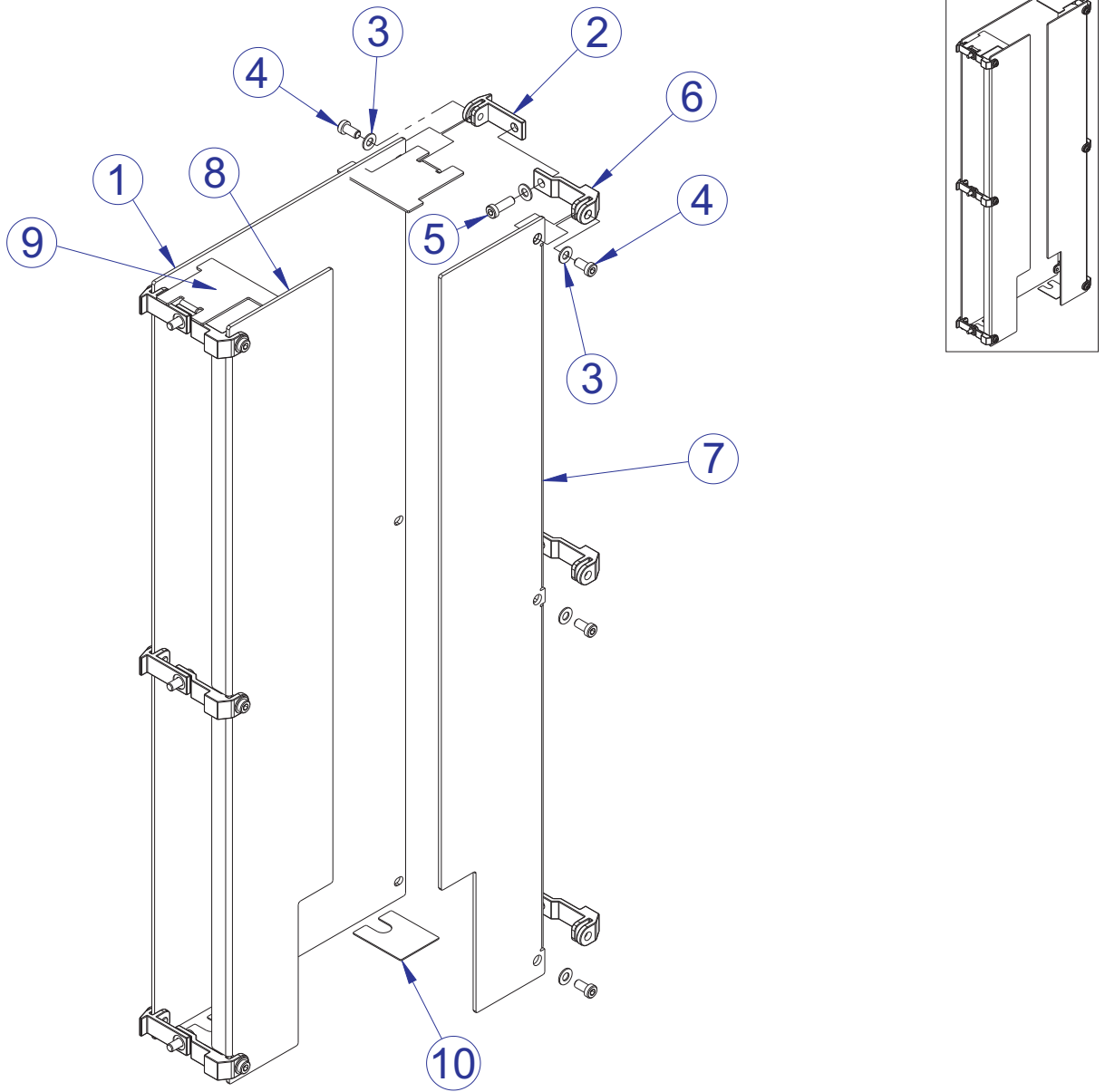
# PSHABSE HIP ABDUCTION REAR SHROUD KIT STD-SHORT - 7415201



ITEM NO.	QTY.	PART NO.	DESCRIPTION
1	1	7376801	SHIELD, PS REAR
2	6	7655301	BRACKET, PS REAR SHIELD
3	12	3236601	WASHER, 3/8 SAE SS
4	12	3236201	SCREW, M10 X1.5 20MM



# PSHABSE HIP ABDUCTION OPTIONAL FULL SHROUD KIT STD-SHORT - 7581101

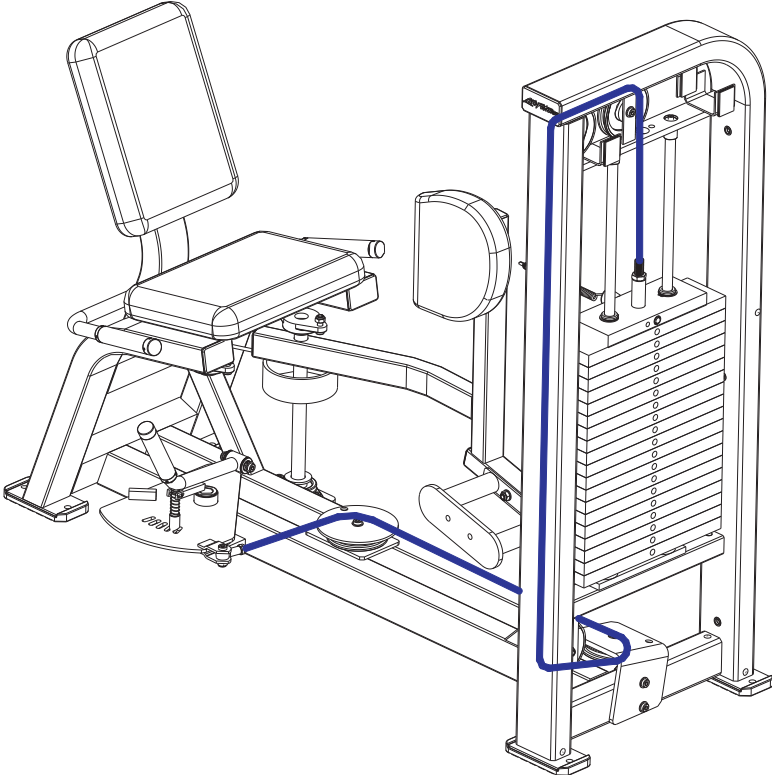


ITEM NO.	QTY.	PART NO.	DESCRIPTION
1	1	7376801	SHIELD, PS REAR 42.5
2	6	7655301	BRKT, PS REAR SHIELD
3	18	3236601	WASHER, 3/8 SAE STAINLESS STEEL
4	12	3236201	M10 X 1.5 X 20 HXS SOC CS SS
5	6	3236203	M10 X 1.5 X 30 HXS SOC CS SS
6	6	7376601	BRACKET, PS FRONT SHIELD
7	1	7544101	SHIELD, PSHAB/HAD FRONT RHT
8	1	7582301	SHIELD, PSHAB/HAD FRONT LFT
9	2	7657401	PLATE, PRO2 SHROUD SPCR
10	2	7570901	PLATE, PS SHIELD STAND-OFF

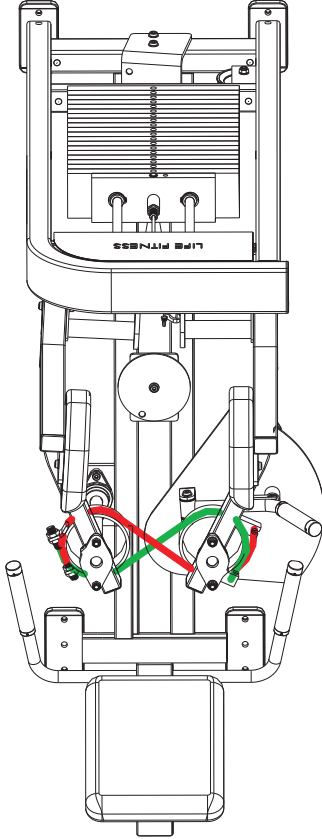
# PSHABSE HIP ABDUCTION CABLE ROUTING

---

(components removed for views)



7423611 Stack cable



7573701 Figure 8 cables  
(Qty. 2)

# PSHABSE HIP ABDUCTION IMAGE

---

